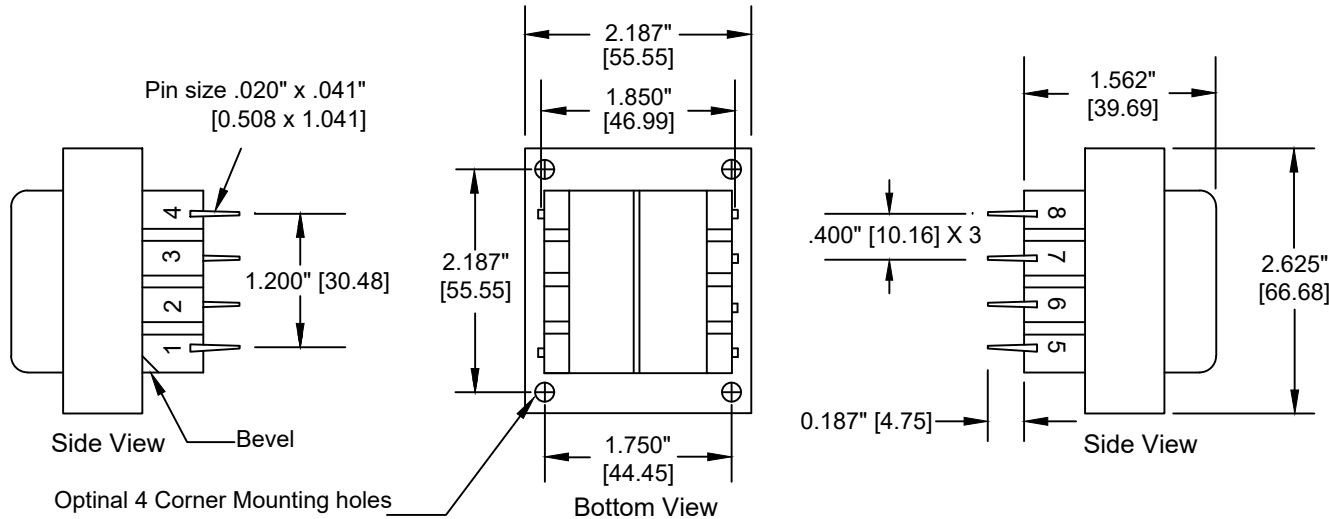


SPW-620-S Series : 36 VA Standard Profile PC Mount Power transformers with a single 115V primary and dual secondaries for Domestic power applications. Split bobbin construction provides excellent primary to secondary isolation.

- Dielectric Strength - 2500Vrms Hipot primary - secondary
- Primary - Single primary 115V, 60 Hz
- Dual Secondaries - Series or Parallel
- UL Recognized CLASS B (130°C) Insulation system, UL 1446 (File E85315)
- Three flange bobbin design, no electrostatic shield required
- 100% Final Tested - Every transformer is tested on automated panels for induced voltage (shorted turns), exciting current, open circuit voltage (turns ratio), polarity (phasing) and dielectric strength
- Immersed in 100% solids epoxy resin to withstand most aqueous and solvent cleaning systems
- Other primary and secondary voltages may be custom designed to your specifications
- Anchor, insulating and crossover tapes. Two distinct, separate windings for each primary and secondary assure excellent Hipot capability between these windings

All dimensions for reference only. []=mm



Optimal 4 Corner Mounting holes to Accommodate #6 Screw x 4 Refer to Technical Bulletin #214

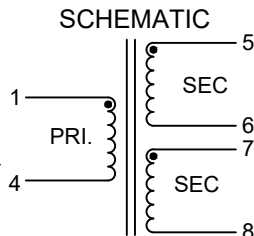
SECONDARY WINDINGS ARE DESIGNED TO BE USED AS ONE SECONDARY WINDING WITH EITHER PARALLEL OR SERIES CONNECTIONS ONLY!

Single Primary (-S)

INPUT VOLTAGE 1 - 4 ; 115V, 60Hz

SECONDARY PARALLEL CONNECTIONS:
TIE 5-7, 6-8; OUTPUT 5-8

SECONDARY SERIES CONNECTIONS:
TIE 6-7; OUTPUT 5-8



Note: Pins 2 & 3 omitted
•Dots indicate like polarity

RMS RATING WITH SECONDARIES CONNECTED IN:

Part Number	VA	Series	Parallel
SPW-620-S	36	10Vct@3.6A	5V@7.2A
SPW-621-S	36	12.6Vct@2.85A	6.3V@5.7A
SPW-622-S	36	16Vct@2.25A	8V@4.5A
SPW-623-S	36	20Vct@1.8A	10V@3.6A
SPW-624-S	36	24Vct@1.5A	12V@3.0A
SPW-625-S	36	28Vct@1.3A	14V@2.6A
SPW-626-S	36	36Vct@1.0A	18V@2.0A
SPW-627-S	36	48Vct@750mA	24V@1.5A
SPW-628-S	36	56Vct@650mA	28V@1.3A
SPW-629-S	36	120Vct@300mA	60V@600mA

SPW-620-S Series

Notes

Agency Approvals:

UL:
-1446 (File E85315)
-506 / 5085-2 General Purpose (File E96326)

CSA-C22.2 No. 66.1-06,
66.2-06 General Purpose (File 063944)

FUSING THE TRANSFORMER TO MEET SAFETY AGENCY REQUIREMENTS IS THE RESPONSIBILITY OF THE CUSTOMER.

-1 Update CSA approval 8-7-15

PREM

MAGNETICS INCORPORATED
3521 N. CHAPEL HILL RD.
JOHNSBURG, IL 60051

PREM PART SPW-620-S
DOMESTIC SERIES

Approved: R. RANDOW

Scale: None

Date: 04/09/2015